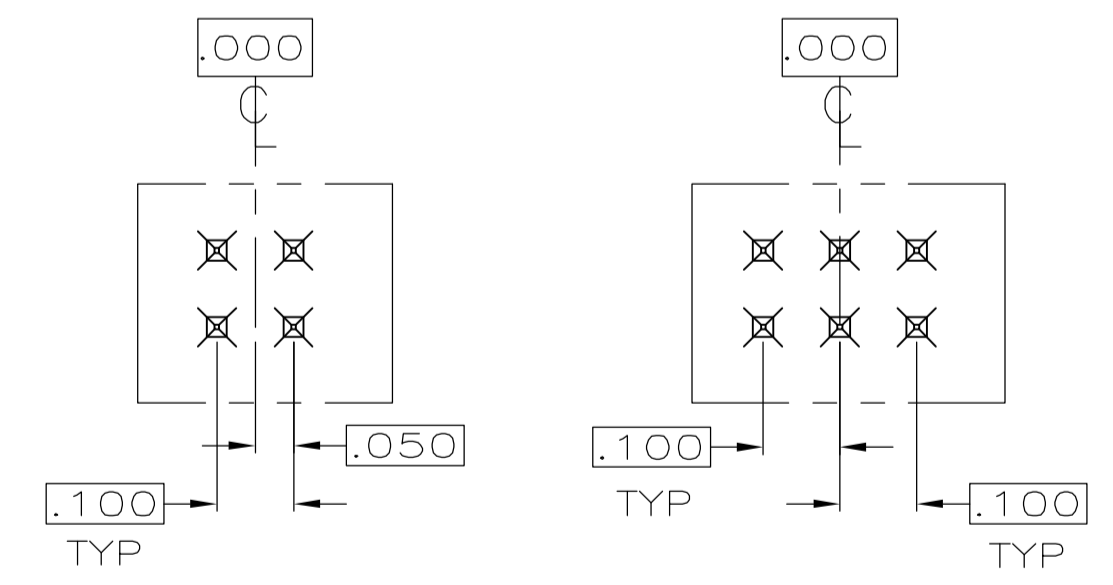
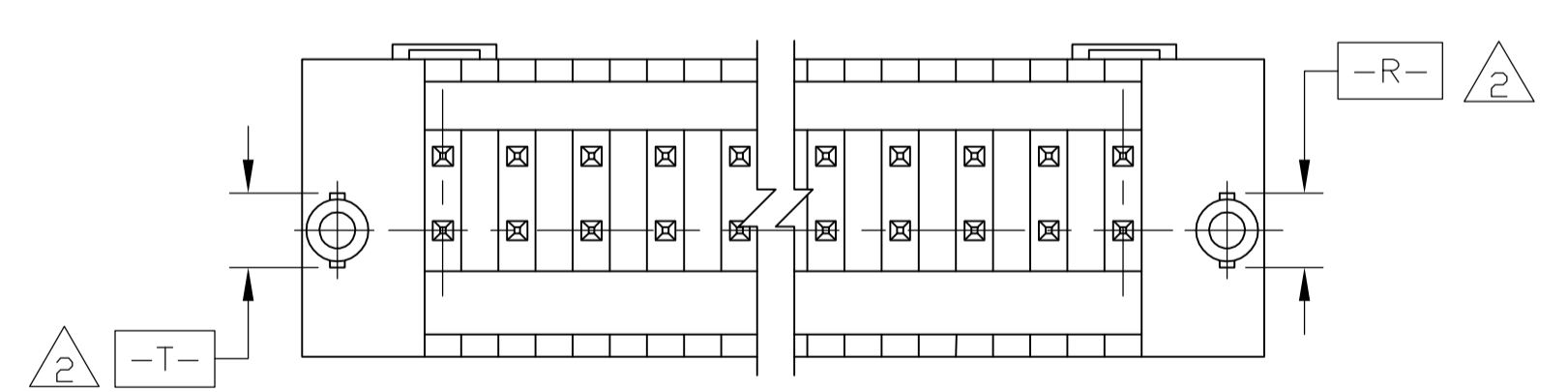
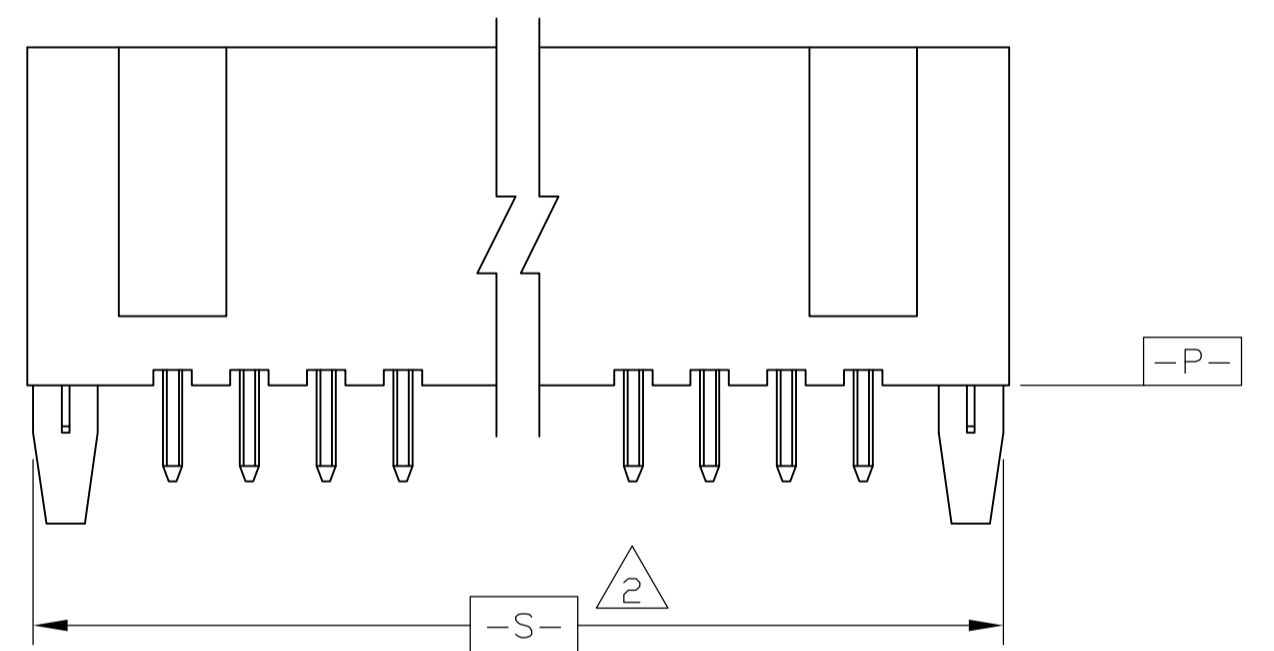
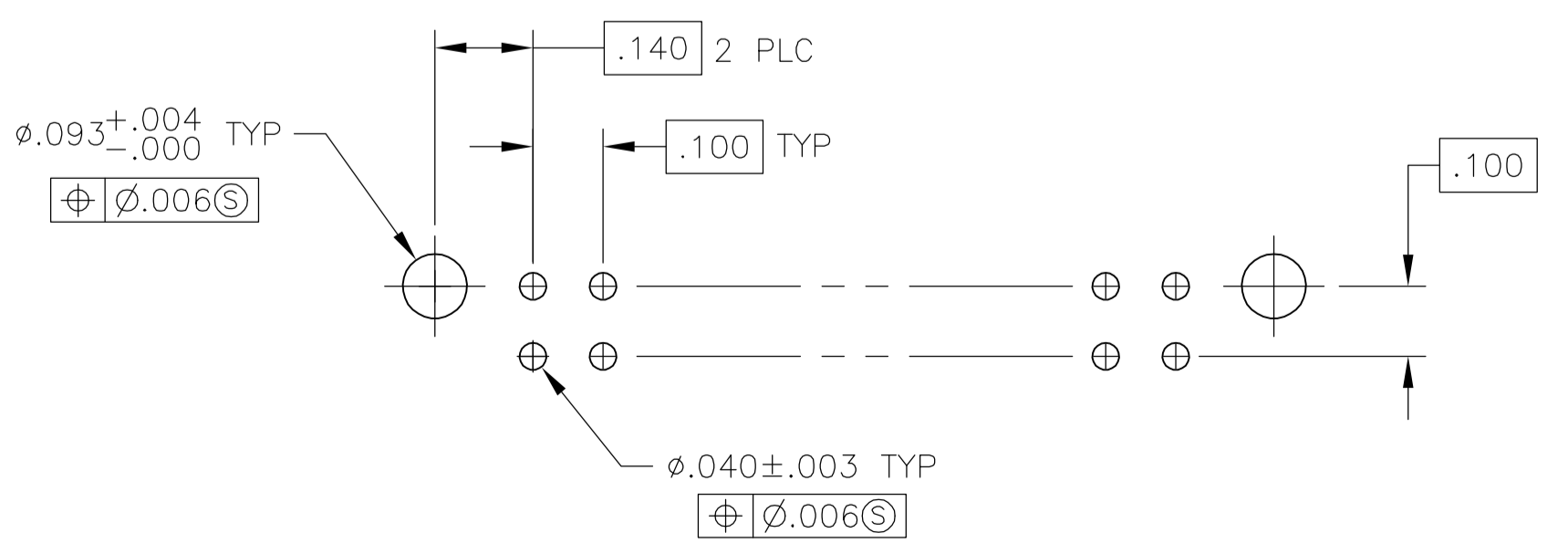


SECTION X-X



BASIC DIMENSION FOR ODD NO. OF SPACES (SEE TABLE)
 BASIC DIMENSION FOR EVEN NO. OF SPACES (SEE TABLE)

DETAIL Z



RECOMMENDED HOLE LAYOUT

- 1 THE NOTED DIMENSIONS APPLY AT THE INTERSECTION OF THE POST AND HOUSING
- 2 THE NOTED DIMENSIONS APPLY AT THE INTERSECTION WITH DATUM -P-
- 3 POINT OF MEASUREMENT FOR PLATING THICKNESS
- 4 PRELIMINARY PART - NOT RELEASED FOR PRODUCTION.
- 5 MATERIAL: HOUSING- FLAME RETARDANT THERMOPLASTIC, COLOR- BLACK
 POST- PHOS BRONZE
- 6 FINISH: POST- .000015 GOLD IN CONTACT AREA, .000100-.000200 MATTE TIN-LEAD ON SOLDERTAIL, ALL OVER .000050 NICKEL
- 7 FINISH: POST- .000015 GOLD IN CONTACT AREA, .000100-.000200 MATTE TIN ON SOLDERTAIL, ALL OVER .000050 NICKEL

7	1.900	1.600	16	34	6-104317-8
	2.000	1.700	17	36	6-104317-7
	1.000	.700	7	16	6-104317-6
	2.300	2.000	20	42	6-104317-5
	2.700	2.400	24	50	6-104317-4
	2.600	2.300	23	48	6-104317-3
	2.200	1.900	19	40	6-104317-2
	1.800	1.500	15	32	6-104317-1
	1.700	1.400	14	30	6-104317-0
	1.500	1.200	12	26	5-104317-9
	1.400	1.100	11	24	5-104317-8
	1.300	1.000	10	22	5-104317-7
	1.200	.900	9	20	5-104317-6
	1.100	.800	8	18	5-104317-5
	.900	.600	6	14	5-104317-4
.800	.500	5	12	5-104317-3	
.700	.400	4	10	5-104317-2	
.500	.200	2	6	5-104317-1	
6	.600	.300	3	8	4-1-104317-9
	1.900	1.600	16	34	1-104317-8
	2.000	1.700	17	36	1-104317-7
	1.000	.700	7	16	1-104317-6
	2.300	2.000	20	42	1-104317-5
	2.700	2.400	24	50	1-104317-4
	2.600	2.300	23	48	1-104317-3
	2.200	1.900	19	40	1-104317-2
	1.800	1.500	15	32	1-104317-1
	1.700	1.400	14	30	1-104317-0
	1.500	1.200	12	26	104317-9
	1.400	1.100	11	24	104317-8
	1.300	1.000	10	22	104317-7
	1.200	.900	9	20	104317-6
	1.100	.800	8	18	104317-5
.900	.600	6	14	104317-4	
.800	.500	5	12	104317-3	
.700	.400	4	10	104317-2	
.500	.200	2	6	104317-1	
PLATING	C	B	A	NO OF POSN	ASSEMBLY PART NUMBER

THIS DRAWING IS A CONTROLLED DOCUMENT. DWN H MOLL 10-19-87
 CHK R FEJDT 10-19-87

tyco Electronics Tyco Electronics Corporation
 Harrisburg, Pa 17105-3608

PRODUCT SPEC: HDR ASSY, MOD II, SHROUDED, 4 SIDES, DBL ROW, VERTICAL, .100X.100 CL, WITH .025 SQ POSTS

APPLICATION SPEC: A1 00779 ©=104317

RESTRICTED TO: -

CUSTOMER DRAWING SCALE 4:1 SHEET 1 OF 1 REV K